



Cloud Cap Technology TASE400LRS

Long Range Day / Night Imaging

The TASE400LRS is the ultimate day and night imaging solution. It features a mid-wave infrared camera with continuous optical zoom down to 2° FOV, and a dual daylight imaging system with a high performance long range spotter camera capable of a 1.06° (SD) optical FOV. The 'LRS' series is designed to provide superior nighttime imaging as well as long-range daylight surveillance for fixed wing, helicopter, manned and unmanned applications.

Key Features

High performance and low SWaP at 7.75 lbs

Dual full motion EO imagers with long range spotter camera and continuous zoom MWIR camera

Onboard GPS/INS - no external IMU needed for geo-pointing

Fiber Optic Gyro (FOG) stabilization

Common control and operator interface across TASE family

Environmentally sealed

Onboard image processing capable of target tracking, scene steering and electronic image stabilization

ViewPoint payload software features complete control of TASE payloads - integrated moving map, real-time mosaicing, Path-Track, and video recording



UTC Aerospace Systems

Payload Performance

Rotation Limits: 360° continuous pan, + 45° / -85° tilt

Slew Rate: 150°/sec

Payload Stabilization: 2-axis, < 75 μRAD jitter

Mid Wave IR Camera

10x optical zoom with continuous digital zoom up to 4x

MWIR: 3 to 5 μm

Resolution: 640 x 480

HFOV: 22° - 2.2° continuous

Daylight Camera

31x continuous optical zoom

HFOV: 55.7° - 1.94°

Video Out: NTSC or PAL

Spotter Camera

53x fixed zoom

HFOV: 1.06° (SD) / 2.1° (HD)

Video Out: HD-SDI

Laser Illuminator (optional)

Class IIIb laser¹

850 nm (NVG band)

150 mW max

Control Interface

RS-232, CAN, Ethernet (with adaptor)

Electrical

VIN: 10 - 30 Volts

Power: 40W (average) 125W (max)

Mechanical

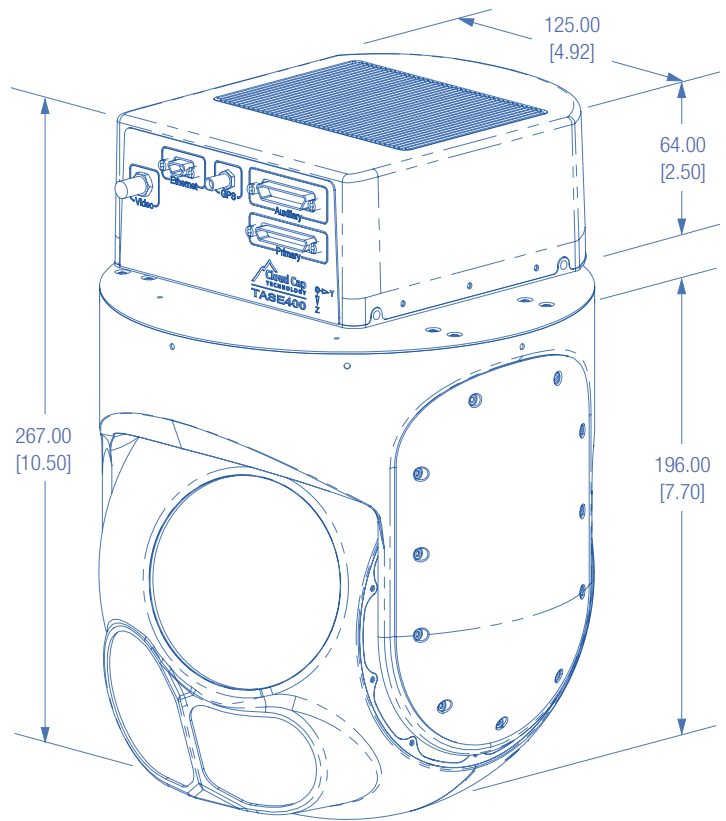
Size: 178 x 178 x 267 mm (7 x 7 x 10.5 inches)

Turret Diameter: 178 mm (7 inches)

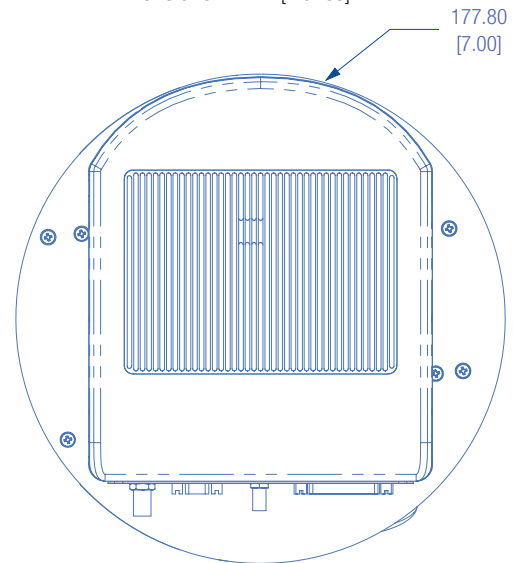
Weight: 3.5 kg (7.75 lbs)

Environmental

Operating Temperature: -20°C to +60°C



Dimensions in mm [inches]



OSR approval no. 13-S-2424



Due to our continued efforts in product improvement, all product specifications are subject to change without notice.

For additional information:

Cloud Cap Technology
202 Wasco Loop, Suite 103
Hood River, OR 97031
USA
Ph: +1.541.386.2120
www.cloudcaptech.com

Cloud Cap Technology
TASE Stabilized Imaging
Payloads



Nov 2013