



# Cloud Cap Technology TASE400DXR

## Extended Range Daylight Imaging

The next generation in extended range imaging, the TASE400DXR has a high performance dual daylight payload system capable of a 0.34° optical FOV while maintaining unmatched daytime video performance in a 7 inch payload. The 'DXR' series is designed to provide superior long-range daylight surveillance imaging for fixed wing, helicopter, manned and unmanned applications.

### Key Features

- High performance and low SWaP at < 7.75 lbs
- Continuous zoom situational awareness camera
- Fixed zoom lens camera with optical image stabilizing element yielding stable video at 0.34° FOV
- Onboard GPS/INS - no external IMU needed for geo-pointing
- Fiber Optic Gyro (FOG) stabilization
- Common control and operator interface across TASE family

- Environmentally sealed
- Onboard image processing capable of target tracking, scene steering and electronic image stabilization
- ViewPoint payload software features complete control of TASE payloads - integrated moving map, real-time mosaicing, Path-Track, and video recording



**UTC Aerospace Systems**

### Payload Performance

Rotation Limits: 360° continuous pan, + 45° / -85° tilt

Slew Rate: 150°/sec

Payload Stabilization: 2-axis, < 75 µRAD jitter

### Daylight Camera 1

31x continuous optical zoom

HFOV: 55.7° - 1.94°

Video Out: NTSC or PAL

### Daylight Camera 2

164x fixed zoom

HFOV: 0.34° (SD) / 0.69° (HD)

Video Out: HD-SDI

### Control Interface

RS-232, CAN, Ethernet (with adaptor)

### Electrical

VIN: 10 - 30 Volts

Power: 50W (average) 125W (max)

### Mechanical

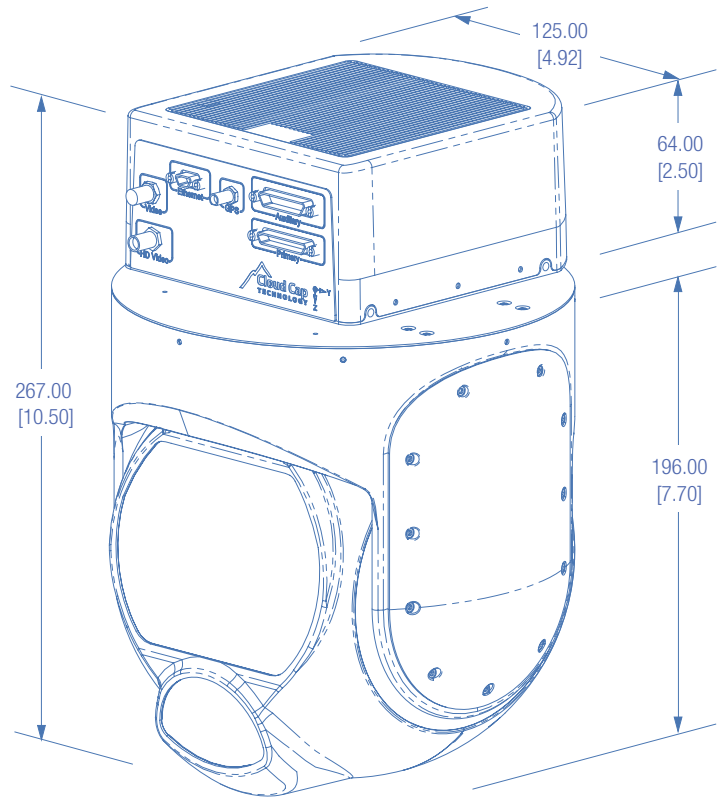
Size: 178 x 178 x 267 mm (7 x 7 x 10.5 inches)

Turret Diameter: 178 mm (7 inches)

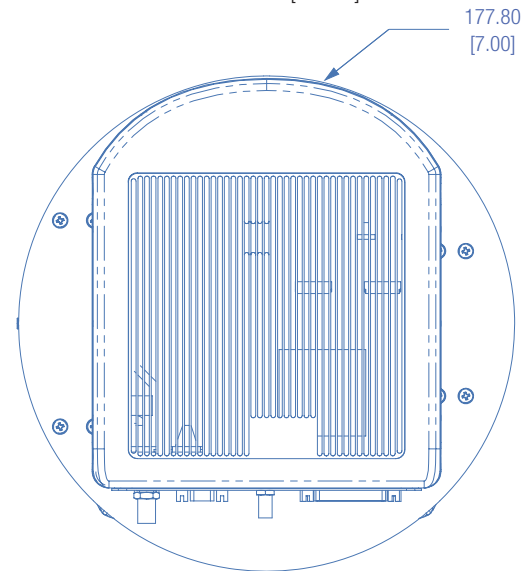
Weight: 3.5 kg (7.75 lbs)

### Environmental

Operating Temperature: -20°C to +60°C



Dimensions in mm [inches]



#### For additional information:

Cloud Cap Technology  
202 Wasco Loop, Suite 103  
Hood River, OR 97031  
USA  
Ph: +1.541.386.2120  
[www.cloudcaptech.com](http://www.cloudcaptech.com)

Cloud Cap Technology  
TASE Stabilized Imaging  
Payloads

