

# Cloud Cap Technology TASE400

## Advanced Day / Night Imaging

Cloud Cap Technology's most advanced payload. The TASE400 features a mid-wave infrared camera with continuous optical zoom down to 2° FOV, a daylight camera, and industry leading stability with fiber optic gyros. A third payload bay is configurable to host a laser rangefinder and illuminator as well as a range of other options. This payload is designed to provide superior day and night surveillance imaging for fixed wing, helicopter, manned and unmanned applications.

### Key Features

- High performance and low SWaP at 7.5 lbs
- Full motion EO imager and continuous zoom MWIR camera
- Flexible 3rd bay for additional payload options
- Onboard GPS/INS - no external IMU needed for geo-pointing
- Fiber Optic Gyro (FOG) stabilization
- Common control and operator interface across TASE family

- Environmentally sealed
- Onboard image processing capable of target tracking, scene steering and electronic image stabilization
- ViewPoint payload software features complete control of TASE payloads - integrated moving map, real-time mosaicing, Path-Track, and video recording



**UTC Aerospace Systems**

**Payload Performance**

Rotation Limits: 360° continuous pan, + 45° / -85° tilt  
 Slew Rate: 150°/sec  
 Payload Stabilization: 2axis, < 75 μRAD jitter

**Mid Wave IR Camera**

10x Optical Zoom with continuous digital zoom up to 4x  
 MWIR: 3 to 5 μm  
 Resolution: 640 x 480  
 HFOV: 22° - 2 ° continuous

**Daylight Camera**

31x continuous optical zoom  
 HFOV: 55.7°- 1.94°  
 Video Out: NTSC or PAL

**Laser Rangefinder** (optional)

Class I Eye-safe  
 1550 nm  
 4km range

**Laser Illuminator** (optional)

Class IIIb laser<sup>1</sup>  
 850 nm (NVG band)  
 150 mW max

**Control Interface**

RS-232, CAN, Ethernet (with adaptor)

**Electrical**

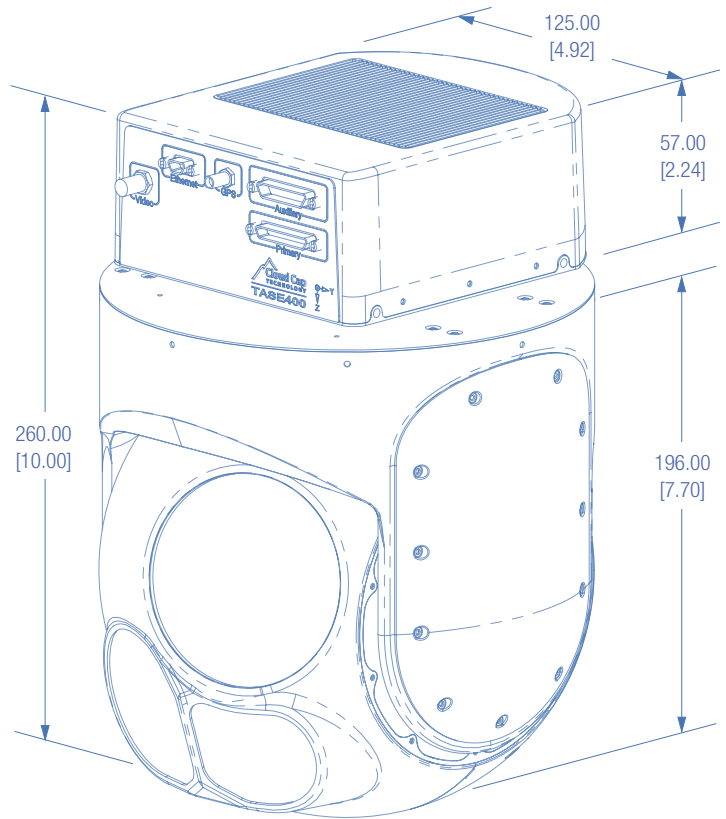
VIN: 10 - 30 Volts  
 Power: 40W (average) 125W (max)

**Mechanical**

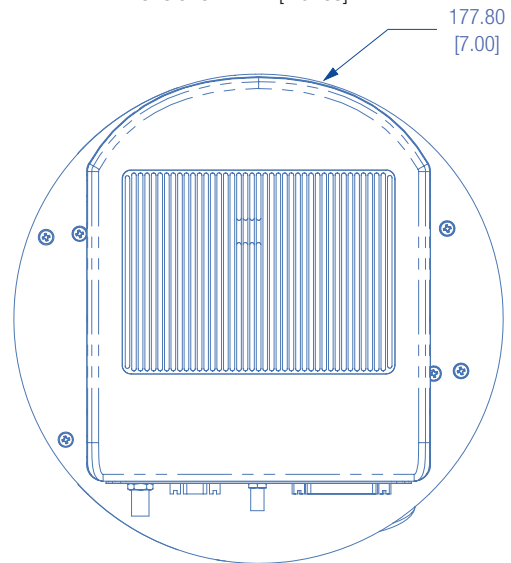
Size: 178 x 178 x 260 mm (7 x 7 x 10 inches)  
 Turret Diameter: 178 mm (7 inches)  
 Weight: 3.4 kg (7.5 lbs)

**Environmental**

Operating Temperature: -20°C to +60°C



Dimensions in mm [inches]



**For additional information:**

Cloud Cap Technology  
 202 Wasco Loop, Suite 103  
 Hood River, OR 97031  
 USA  
 Ph: +1.541.387.2120  
 www.cloudcaptech.com

Cloud Cap Technology  
 TASE Stabilized Imaging  
 Payloads

UTC Aerospace Systems